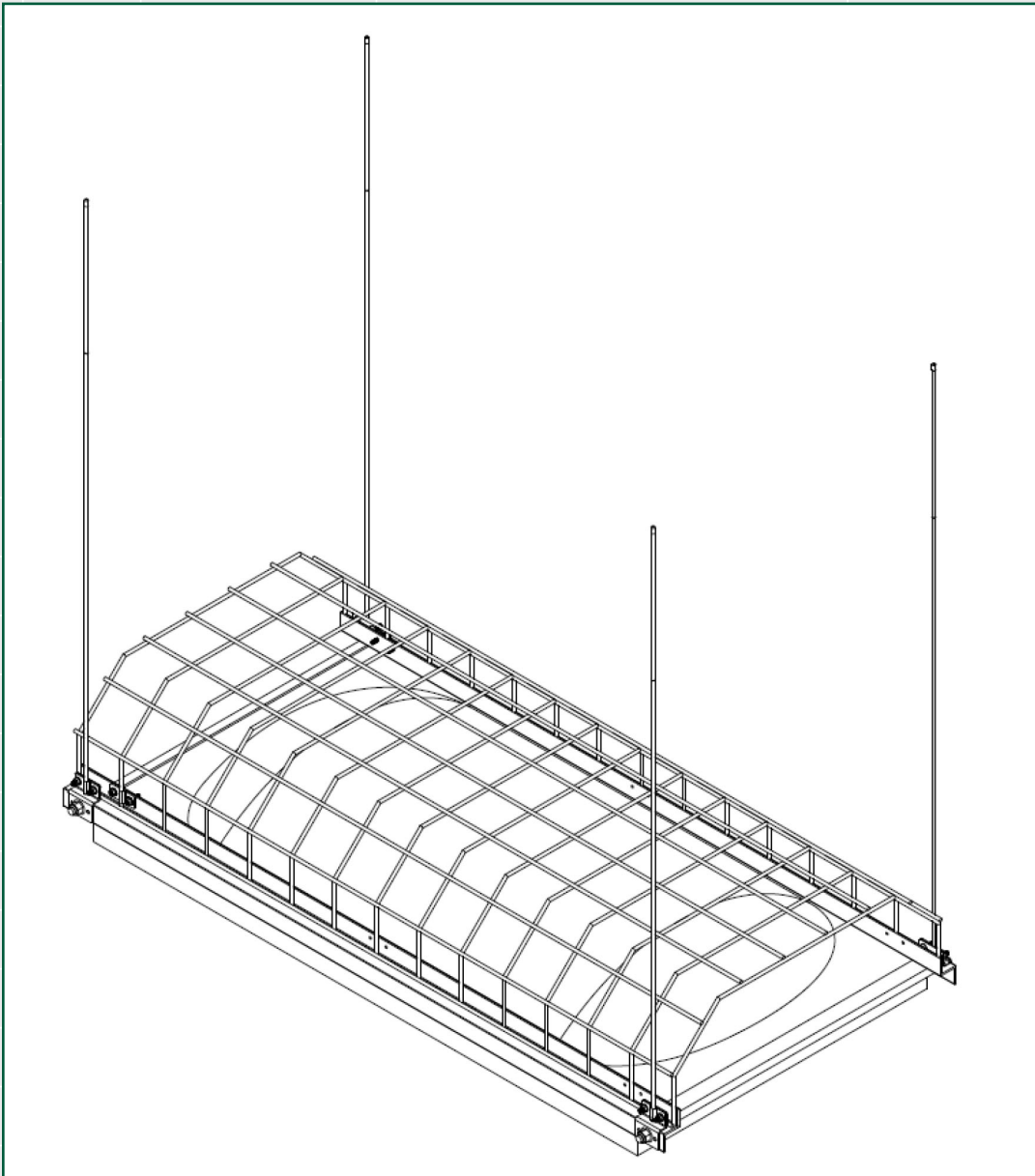


## ***Demarcation Kit*** December 21, 2016; Revision B

### **RECOMMENDED TOOLS FOR ASSEMBLY:**

- Cordless Drill
- Socket Set

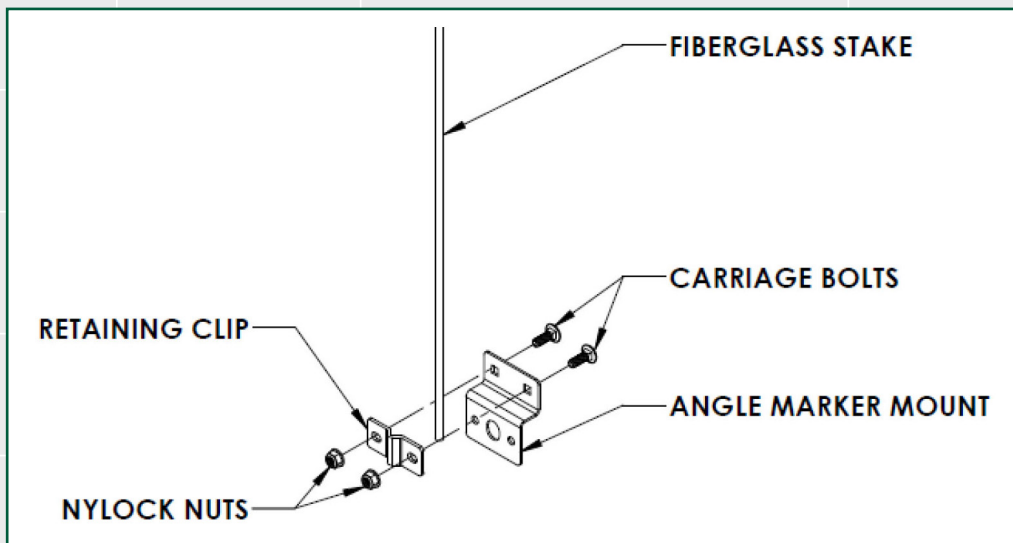
**PLEASE NOTE:** Skylight demarcation markers must be used in addition to an OSHA approved skylight guard. The markers do not meet OSHA fall protection requirements when used alone.



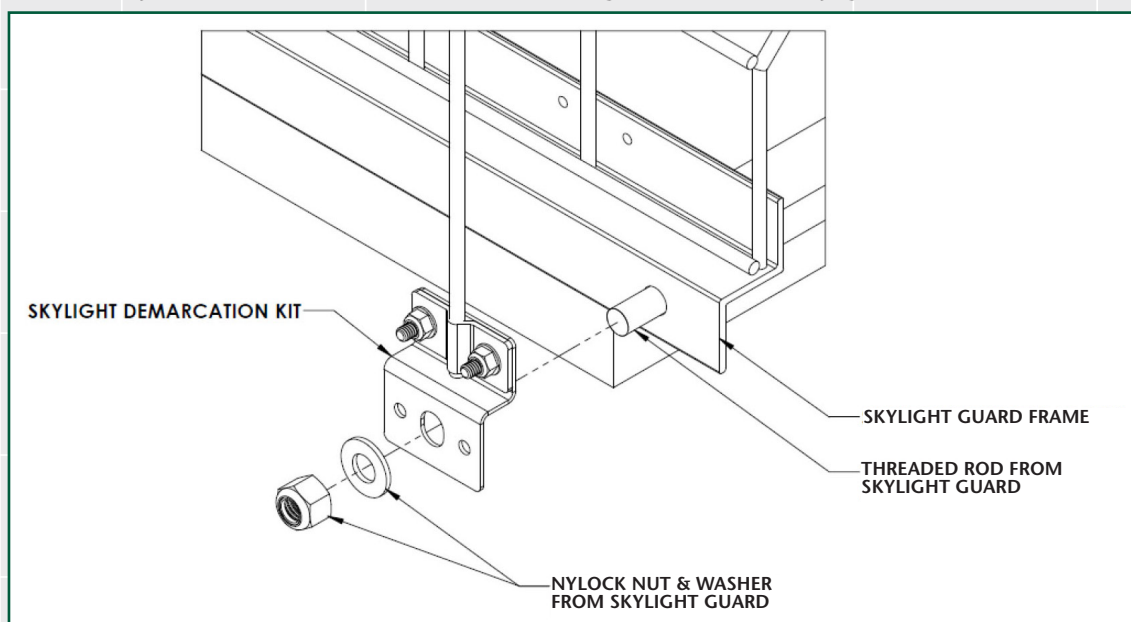
## Demarcation Kit December 21, 2016; Revision B

### INSTALLATION PROCEDURE:

1. Place the carriage bolts through the angle marker mount.
2. Place the retaining clip onto the carriage bolts.
3. Screw nylock nuts onto carriage bolts.
4. Place the fiberglass stake between the angle marker mount and the retaining clip.
  - a. Ensure that the bottom of the stake is resting on the angle marker mount.
5. Tighten the nylock nuts onto the carriage bolts until snug.
  - a. Ensure that the stake does not pull free from the mount housing.



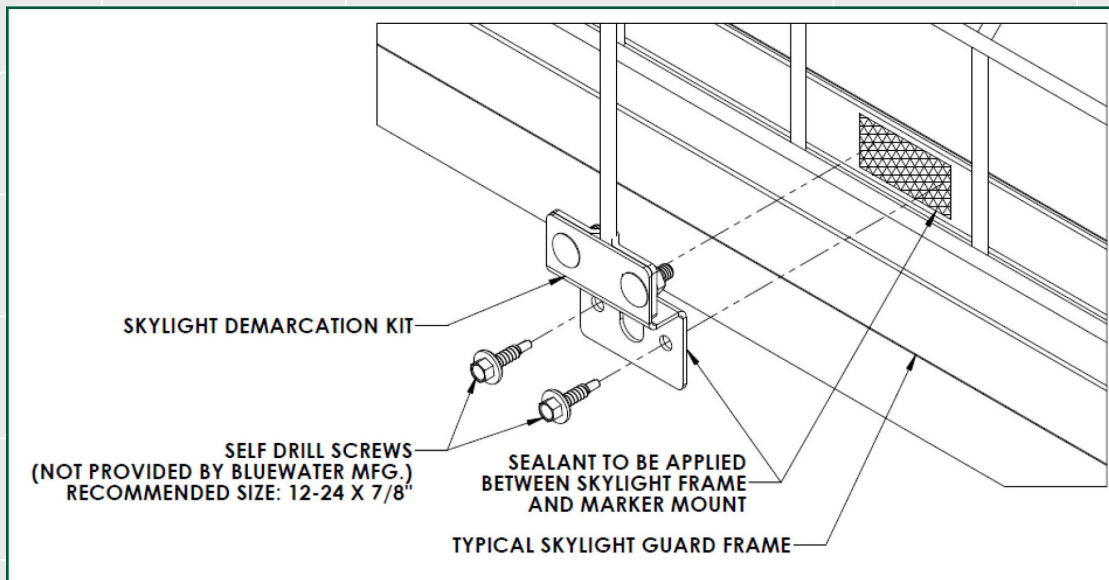
6. If fastening the Skylight Demarcation Kit to a Tremco Incorporated Skylight Guard continue, otherwise proceed to page 3.
7. Remove the nylock nut and the washer from the threaded rod located on the Skylight Guard.
8. Insert the assembled Skylight Demarcation Kit onto the threaded rod.
9. Place the washer onto the threaded rod.
10. Place the nylock nut onto the threaded rod and re-tighten nut to the Skylight Guard frame.



## **Demarcation Kit** December 21, 2016; Revision B

### **INSTALLATION PROCEDURE:** *(continued)*

- 11.** Please note: The Skylight Demarcation Kit may be installed and placed anywhere along the side of any skylight guard.
- 12.** Place the Skylight Demarcation Kit along the side of the skylight guard.
- 13.** Fasten the Demarcation kit securely to the skylight frame by using self-drilling screws with a rubber washer, not provided by Tremco Incorporated.
  - a. The recommended self-drilling screw size to use is 12-24 x 7/8" for most applications.
- 14.** If penetrating the interior of the skylight, sealant must be applied between the demarcation marker mount and the skylight frame.



### **ANNUAL INSPECTION PROCEDURE:**

- Verify that all fasteners are tightened.
- Replace any missing fasteners.
- Inspect screen for damage. Replace if damage is found.